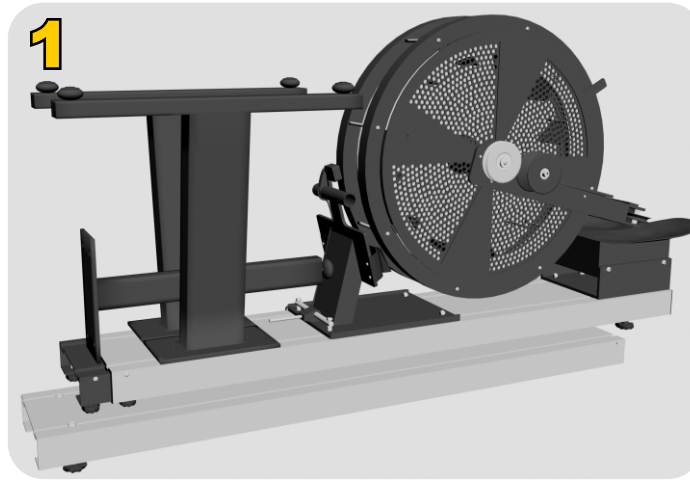


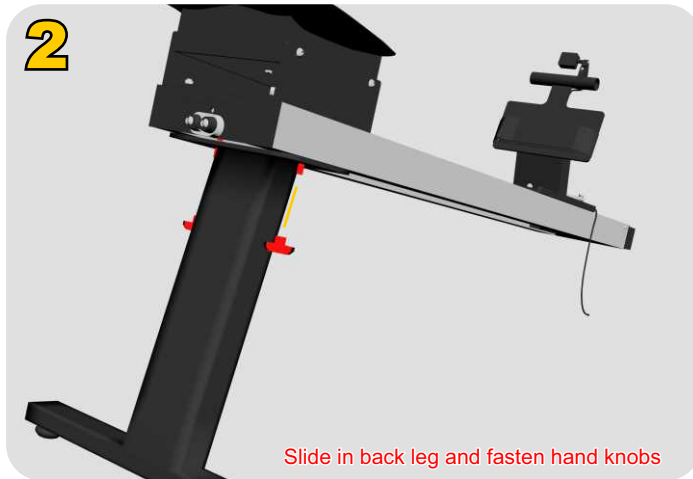
The Stroke2max Ergometer comes packed in its own carry bag. Each part is individually packed in bags. The Ergometer is packaged in a specific way to ensure maximum protection while in transit.

This assembly brochure will take you through the 15 steps to assemble and disassemble your Ergometer.



**stroke2max**  
OLYMPIC STYLE K1 KAYAK SIMULATORS, TRAINER, ERGOMETERS  
THROUGH OUR LORD, JESUS, CHRIST

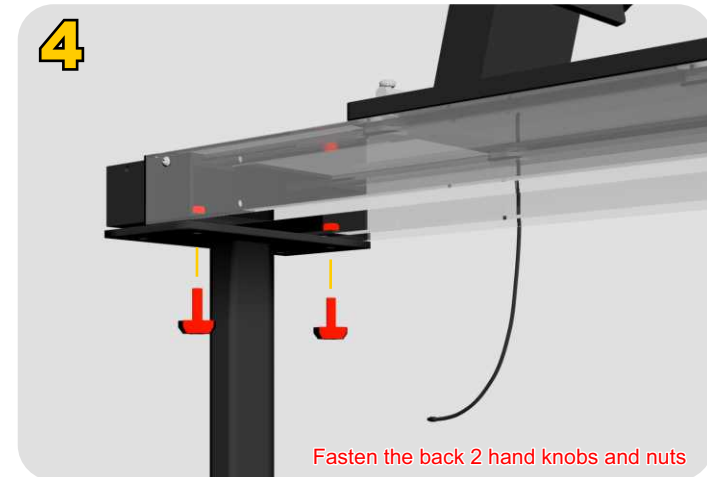
a s s e m b l e



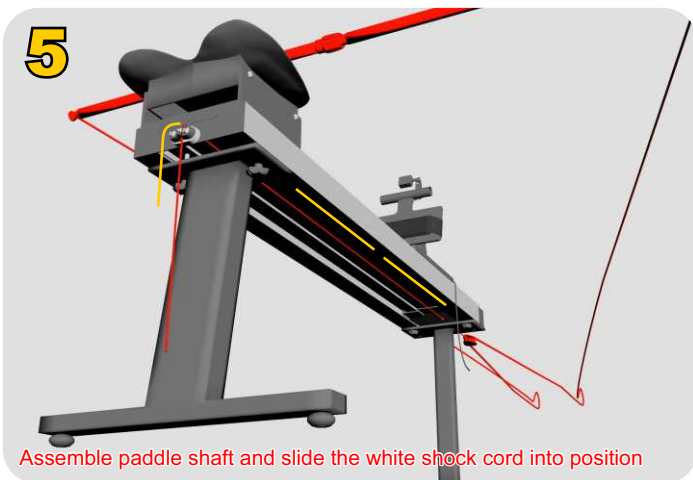
Slide in back leg and fasten hand knobs



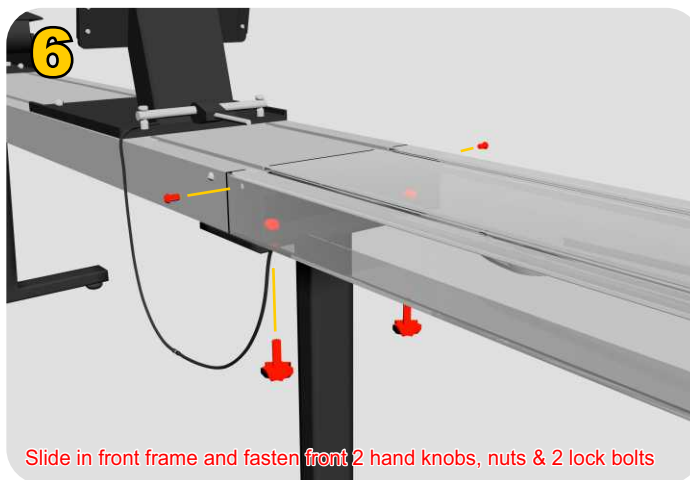
Slide in middle leg



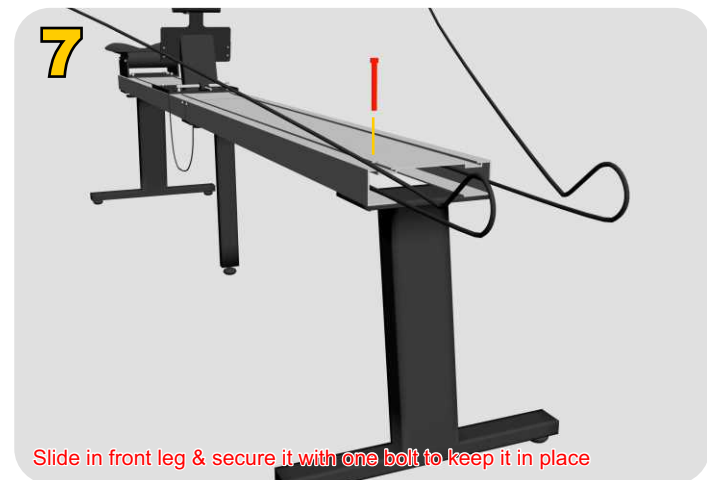
Fasten the back 2 hand knobs and nuts



Assemble paddle shaft and slide the white shock cord into position



Slide in front frame and fasten front 2 hand knobs, nuts & 2 lock bolts



Slide in front leg & secure it with one bolt to keep it in place